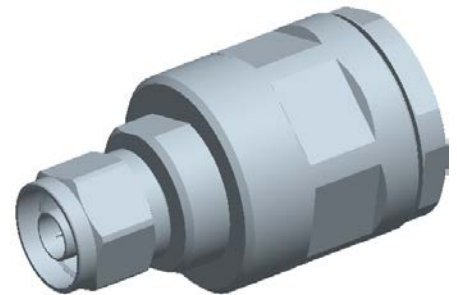
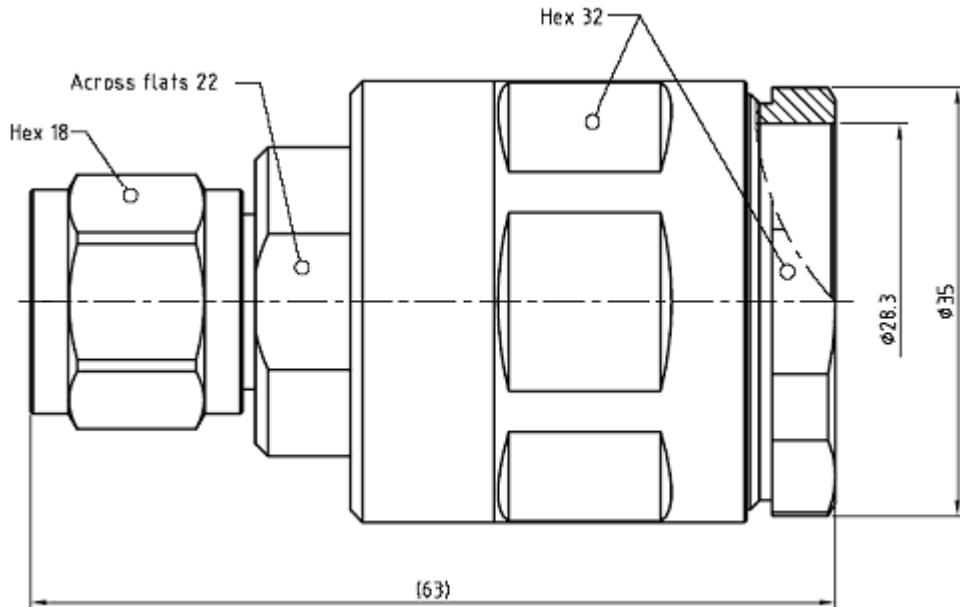


N 50 Ω

STRAIGHT PLUG
(7/8"R)

53S1C7-CX5N1



All dimensions are in mm; tolerances according to ISO 2768 m-H

Interface

According to IEC 61169-16, MIL-PRF-39012, CECC 22210

Documents

Assembly instruction MA_1C7-CX5

Material and plating

Connector parts

- Center contact
- Outer contact
- Back nut
- Dielectric
- Gasket
- Spring part

Material

- Brass
- Brass
- Brass
- TPX
- Silicone&EPDM
- Spring bronze

Plating

- Silver, 3-6 μm
- Flash white bronze over silver(e.g. Optargen®)
- Nickel, 2.5-5 μm
- Tin, 1-3 μm

Dieses Dokument ist urheberrechtlich geschützt • This document is protected by copyright • Rosenberger Hochfrequenztechnik GmbH & Co. KG

RF_35/09_14/6.2

N 50 Ω

STRAIGHT PLUG
(7/8"R)

53S1C7-CX5N1

Electrical data

Impedance	50 Ω
Frequency	DC to 11 GHz
Return loss	≥ 35 dB @ DC to 1 GHz ≥ 32 dB @ 1 GHz to 2.7 GHz
Insertion loss	≤ 0.05 dB
Insulation resistance	≥ 5 GΩ
Center contact resistance	≤ 1 mΩ
Outer contact resistance	≤ 0.25 mΩ
Working voltage (at sea level)	500 V rms
Power handling (at 20 °C, sea level, VSWR 1.0)	1000 W @ 1 GHz 700 W @ 2 GHz
Intermodulation 3 rd order	≥ 159 dBc (2 x 43 dBm)

- Limitations are possible due to the used cable type -

Mechanical data

Mating cycles	≥ 500
Coupling nut retention	≥ 450N
Center contact captivation: axial	≥ 28 N
radial	≥ 3 Ncm
Coupling test torque	≤ 1.7 Nm
Recommended torque	0.7 Nm to 1.1 Nm

Environmental data

Temperature range	-45 °C to +85 °C
Thermal shock	MIL-STD-202, Method 107, Condition B
Corrosion resistance	MIL-STD-202, Method 101, Condition B
Vibration	MIL-STD-202, Method 204, Condition B
Shock	MIL-STD-202, Method 213, Condition I
Moisture resistance	MIL-STD-202, Method 106
Degree of protection (mated pair)	IEC 60529, IP68
2002/95/EC (RoHS)	compliant

Tooling

60W107-CX5

Suitable cables

SL 078R Series (Recommend)

Packing

Standard	1 pce in box
Weight	146 g/pce

While the information has been carefully compiled to the best of our knowledge, nothing is intended as representation or warranty on our part and no statement herein shall be construed as recommendation to infringe existing patents. In the effort to improve our products, we reserve the right to make changes judged to be necessary.

Draft	Date	Approved	Date	Rev.	Engineering change number	Name	Date
ZhaiQK	18/05/09	heanyang	27/07/16	e	15-0397	Songxianglong	27/07/16
Rosenberger Hochfrequenztechnik GmbH & Co. KG, Germany Tel.: +49 8684 18-0 Fax: +49 8684 18-499 www.rosenberger.de email: info@rosenberger.de				Rosenberger Asia Pacific Electronic Co., Ltd., China Tel.: +86 10 80481995 Fax: +86 10 80497052 www.rosenbergerap.com email:info@rosenbergerap.com			Page 2 / 2