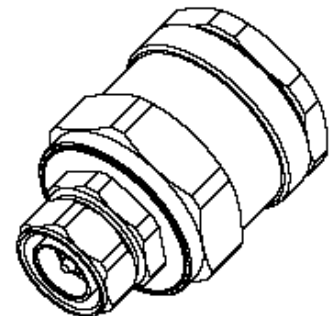
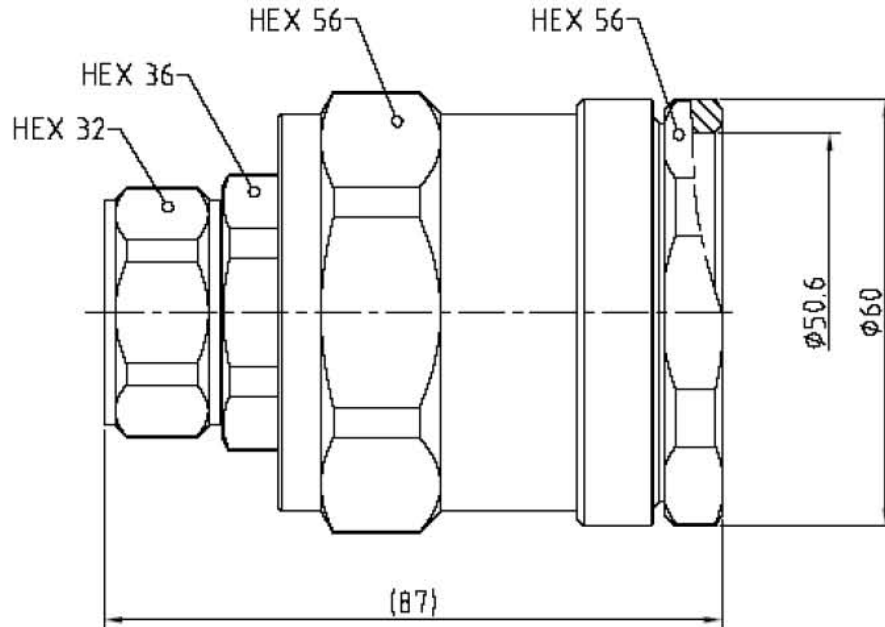


7-16

STRAIGHT PLUG
(1-5/8"R)

60S1D7-C07N1



All dimensions are in mm; tolerances according to ISO 2768 m-H

Interface

According to IEC 61169-4, VG 95250, EN 122190, DIN 47223

Documents

Assembly instruction MA_60I44

Material and plating

Connector parts

Connector parts	Material	Plating
Center contact	Brass	Silver, 3-6 μ m
Outer contact	Brass	Flash white bronze over silver(e.g. Optargen®)
Body	Brass	Nickel, 2.5-5 μ m
Dielectric	TPX	
Gasket	Silicone&EPDM	
Coupling nut	Brass	Nickel, 2.5-5 μ m

Dieses Dokument ist urheberrechtlich geschützt • This document is protected by copyright • Rosenberger Hochfrequenztechnik GmbH & Co. KG

RF_35/09.14/6.2

7-16

STRAIGHT PLUG
(1-5/8"R)

60S1D7-C07N1

Electrical data

Impedance 50 Ω
 Frequency DC to 8.3 GHz
 Return loss ≥ 35dB @ DC to 1 GHz
 ≥ 30dB @ 1 GHz to 2.7 GHz
 Insertion loss ≤ 0.05dB
 Insulation resistance ≥ 10 GΩ
 Center contact resistance ≤ 0.4 mΩ
 Outer contact resistance ≤ 1.5 mΩ
 Working voltage (at sea level) 500 V rms
 Power handling (at 20 °C, sea level, VSWR 1.0) 1800 W @ 1 GHz
 800 W @ 4 GHz
 Intermodulation (3rd order) ≥ 160 dBc (2 x 43 dBm)

- Limitations are possible due to the used cable type

Mechanical data

Mating cycles ≥ 500
 Coupling nut retention ≥ 1000 N
 Center contact captivation: axial ≥ 200 N
 radial ≥ 2 Ncm
 Coupling torque (recommended) 25 to 30 Nm
 Proof torque ≤ 35 Nm

Environmental data

Temperature range -45 °C to +85 °C
 Rapid change of temperature DIN EN 122190, Sub-clause 4.6.7
 Corrosion resistance DIN EN 122190, Sub-clause 4.6.10
 Vibration DIN EN 122190, Sub-clause 4.6.3
 Climatic category DIN EN 122190, Sub-clause 4.6.5 (45/85/21)
 Damp heat DIN EN 122190 , Sub-clause 4.6.6
 Degree of protection (mated pair) IEC 60529, IP68
 2002/95/EC (RoHS) compliant

Tooling

Crimping tool 60W110-C07

Suitable cables

SL 158R Series (recommended)

Packing

Standard 1 pce in bag
 Weight 516.2g/pce

While the information has been carefully compiled to the best of our knowledge, nothing is intended as representation or warranty on our part and no statement herein shall be construed as recommendation to infringe existing patents. In the effort to improve our products, we reserve the right to make changes judged to be necessary.

Draft	Date	Approved	Date	Rev.	Engineering change number	Name	Date
zhuguangchao	15/08/12	heanyang	26/07/16	400	16-0606	Songxianglong	19/04/16
Rosenberger Hochfrequenztechnik GmbH & Co. KG, Germany Tel.: +49 8684 18-0 Fax: +49 8684 18-499 www.rosenberger.de email: info@rosenberger.de						Rosenberger Asia Pacific Electronic Co., Ltd., China Tel.: +86 10 80481995 Fax: +86 10 80497052 www.rosenbergerap.com email:info@rosenbergerap.com	
							Page
							2 / 2